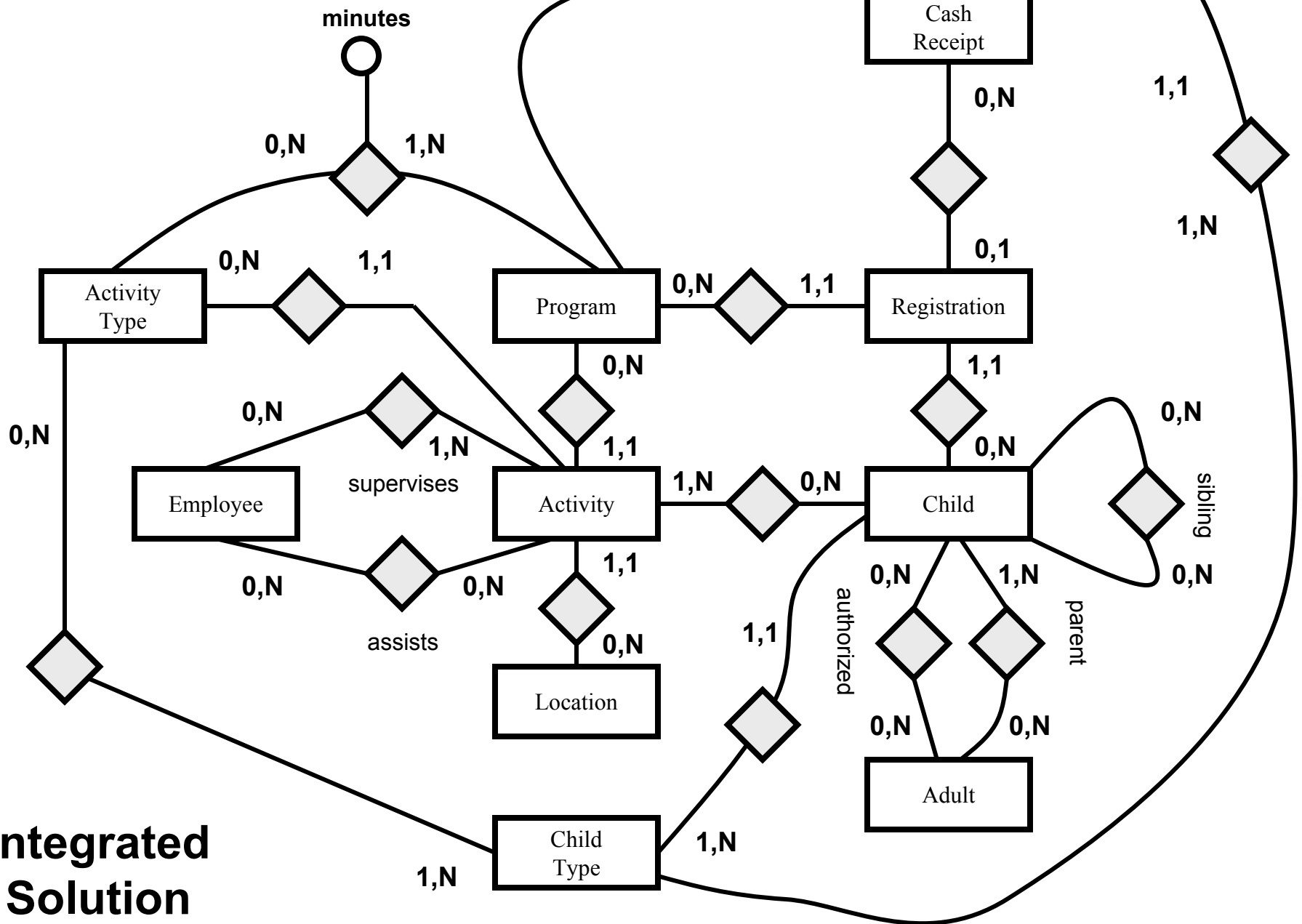


HappyKids

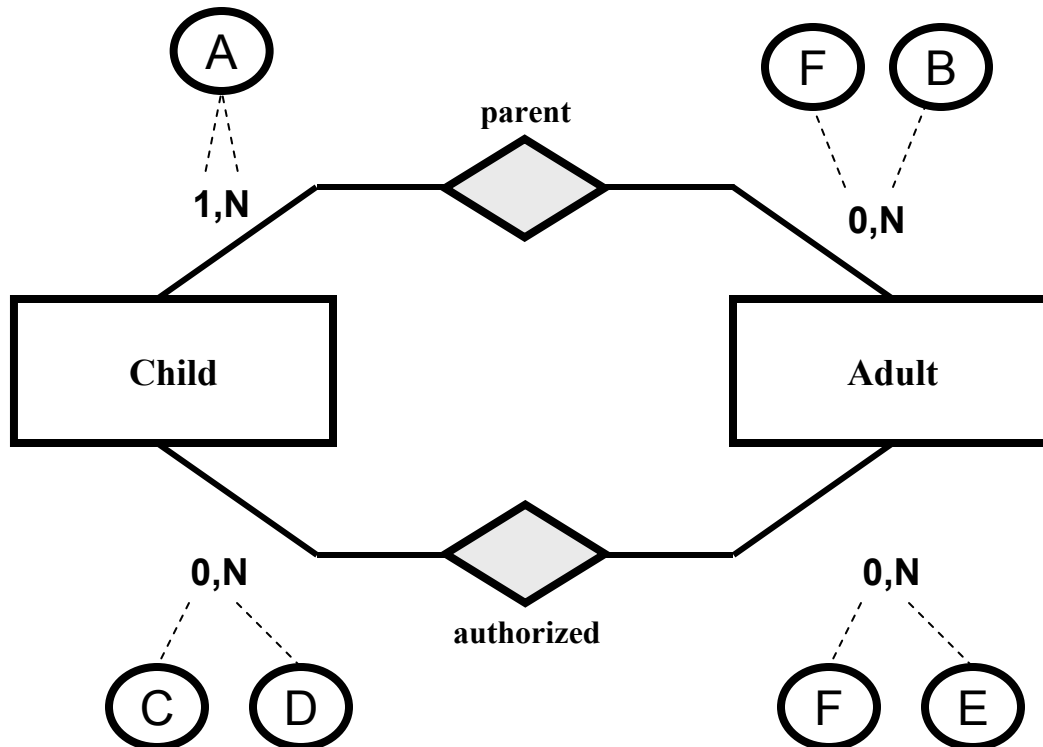


Solution Package



**Integrated Solution**

- A** At least one parent needs to be recorded for each kid. For most kids, we record two parents.
- B** Several parents have more than one child at HappyKids; we currently have a set of triplets in our daycare.
- C** Not all children have authorized adults that can pick them up.
- D** At most five authorized adults can be recorded for a child.
- E** Some adults are authorized to pick up more than one child – e.g., the person who is authorized to pick up the triplets.
- F** However, most adults in our system are either “parents” or “authorized” but not both.

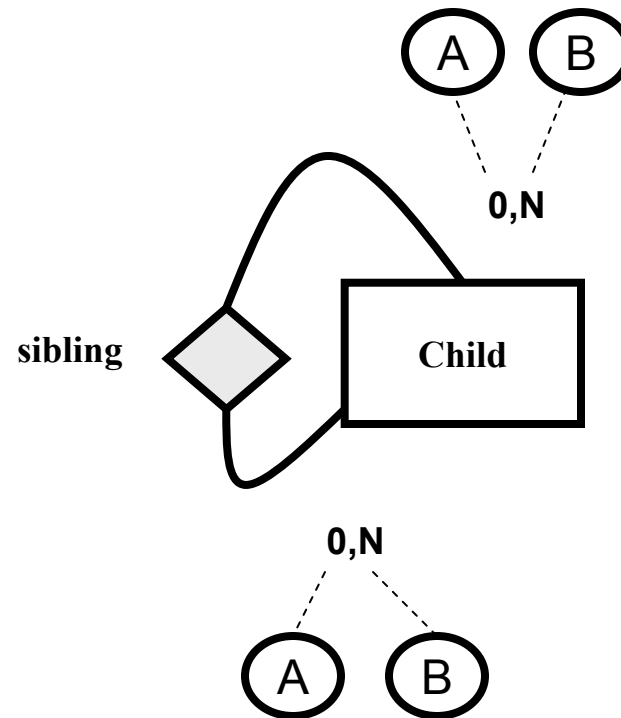


A

Most kids do not have siblings in our daycare.

B

However, some kids have multiple siblings in our daycare.



A

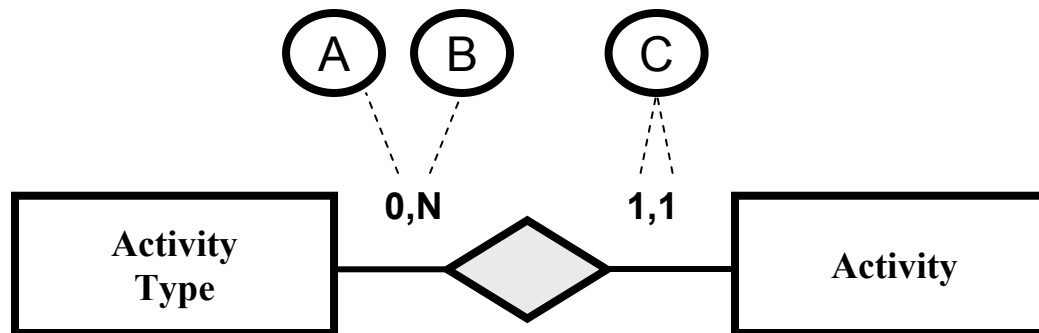
While gardening is on our (activity type) list we actually never had a gardening activity.

B

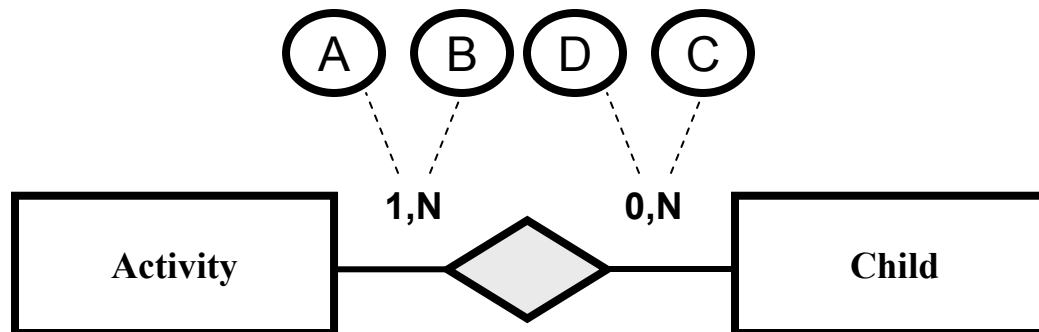
We have at least a few gaming activities (activity type = games) every day.

C

We record exactly one activity type for each activity.



- (A)** It is impossible to have an activity without children.
- (B)** Between five and thirteen kids usually participate in an activity.
- (C)** All toddlers will participate in eating, gaming, and sleeping activities this morning.
- (D)** We record children on the waiting list in our system. However, such children cannot be registered yet for a program. As a result, they cannot participate in any of our activities.



A

Each activity is supervised by at least one employee

B

Low intensity activities such as sleeping usually don't require assistants.

C

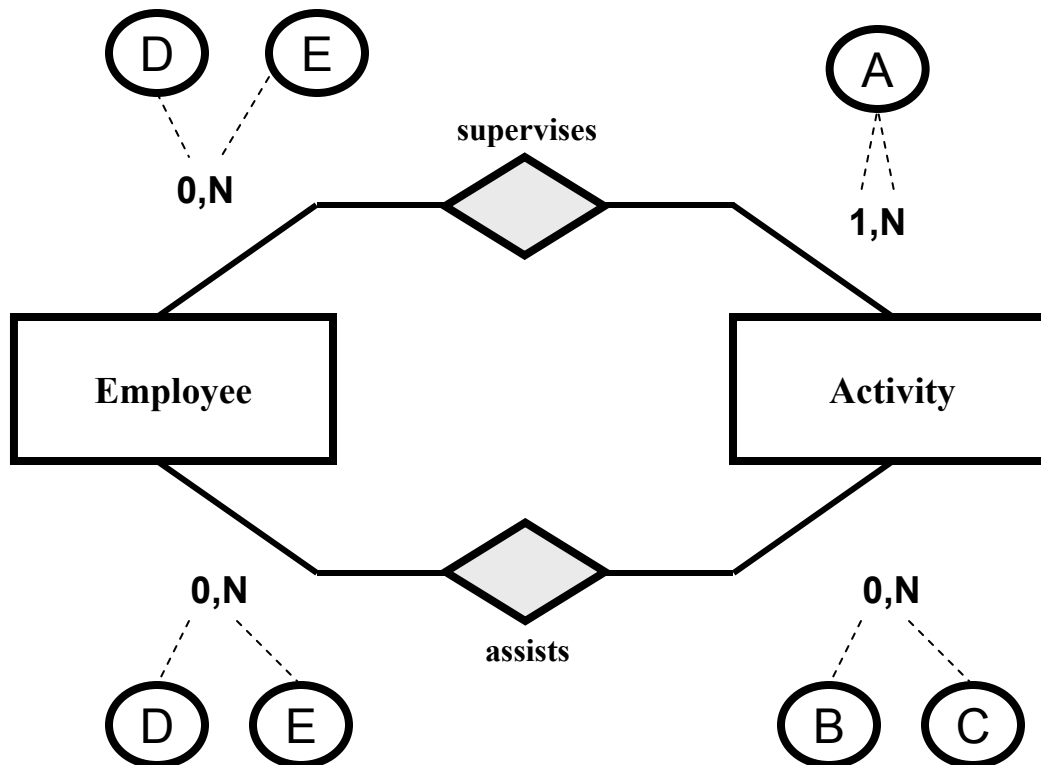
However, high intensity activities such as games need several assistances.

D

“Employees need to go through training before they can participate in an activity (as supervisor or assistant). We record employee information before they start training.

E

Jimmy, one of our employees, is an assistant for two activities this morning and a supervisor for two activities this afternoon.



A

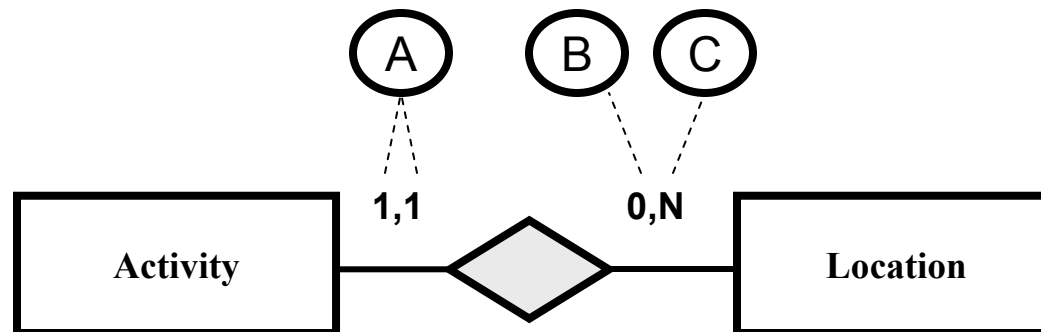
An activity always takes place in exactly one location (where); e.g. playground C, the music room, etc.

B

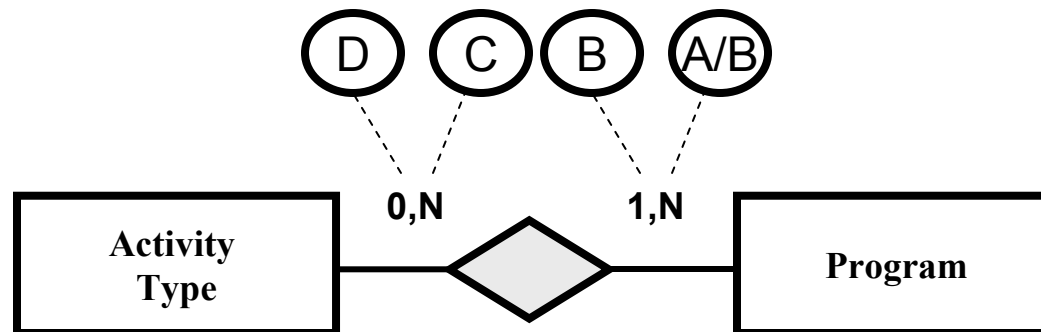
Last week, our new playground (playground D) was ready. We entered this new location into our system yesterday. No activities have taken place in playground D yet.

C

We have 5 activities scheduled for the music room this week.



- (A) For example, next week's program for toddlers has 300 minutes of sleeping (one hour a day), 240 minutes of watching TV (2 movies), 600 minutes of gaming activities, etc.
- (B) There are at least five different activity types for each program.
- (C) For example, next week's program for toddlers has 300 minutes of sleeping (one hour a day), 240 minutes of watching TV (2 movies), 600 minutes of gaming activities, etc. Next week's program for infants has 1200 minutes of sleeping (four hours a day), 600 minutes of gaming activities, etc.
- (D) While gardening is on our (activity type) list we actually never had a gardening activity (and no gardening activity has been scheduled yet).



A

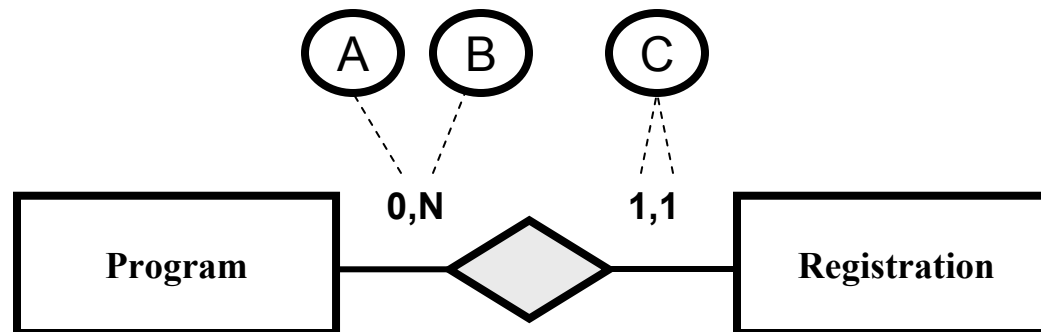
Once a program is recorded into our system, parents can register their children for it. In most case, we get our first registrations two days after we have posted/recorded our program (i.e. on Wednesdays).

B

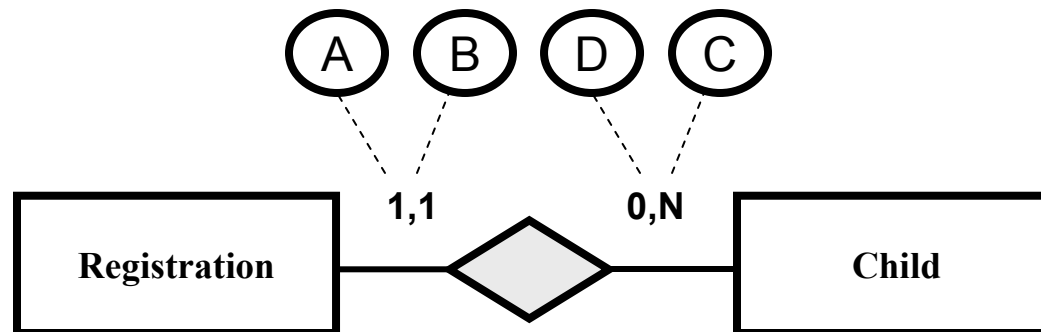
We usually have close to twenty registrations per program (the maximum number of children allowed).

C

There is exactly one program per registration.



- A** A child must be specified for all registrations.
- B** A separate registration is required for each child. So, parents with multiple children at HappyKids (such as the triplet's parents) need to register each of their kids separately for a program.
- C** Most children stay with us for years and thus need many registrations.
- D** We record children on the waiting list in our system. However, such children cannot be registered yet for a program.



A

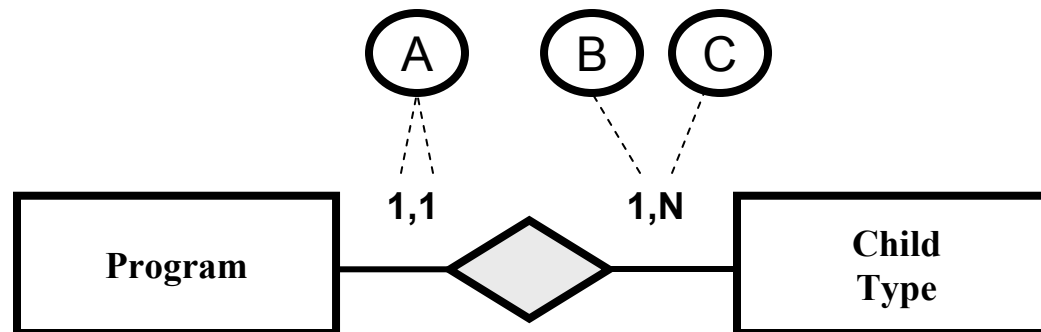
We record exactly one child type for each program.

B

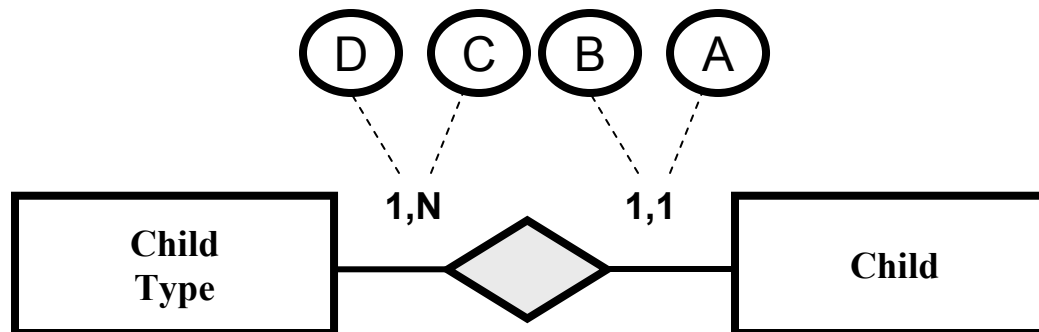
It should be impossible to record a child type without recording a program for it; i.e., a child type cannot exist without a program.

C

We create four separate programs each week; one program for each age group or child type.



- (A) We record a child's current child type
- (B) we do that for all children.
- (C) We currently have 25 infants.
- (D) It should be impossible to record a child type if we don't have at least one child of that type.



A

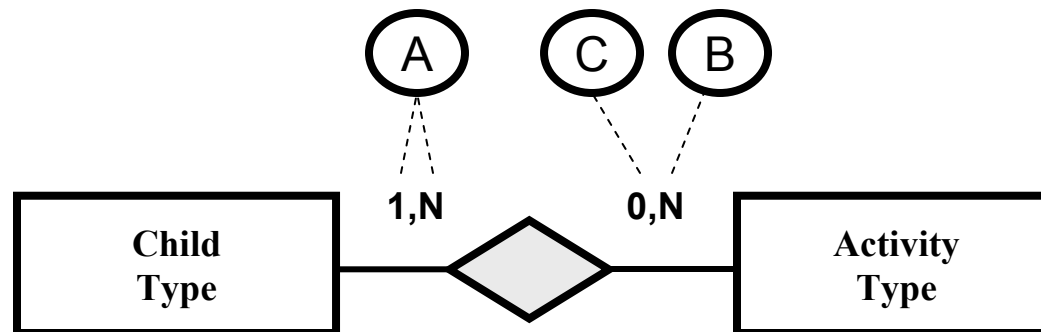
We have numerous permissible activity types for each child type.

B

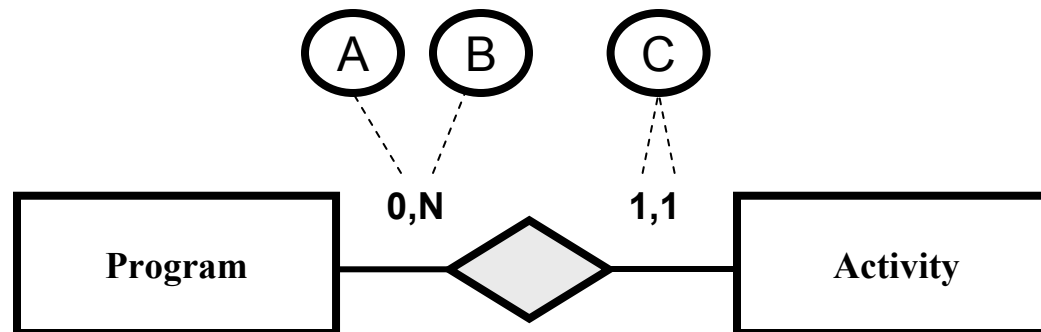
All children (infants, toddlers, preschoolers, and school aged children) are allowed to sleep and eat (activity types).

C

We haven't decided yet who (which age group) can do gardening (activity type) activities.



- (A)** A program is more like a schedule that describes what activity types are scheduled and how much time (expressed in minutes) will be spent on each activity type.
- (A)** Further, we create and enter a program one week ahead; e.g. on Monday we entered next week's program in our system.
- (B)** For example, next week's program for toddlers has 300 minutes of sleeping (one hour a day), 240 minutes of watching TV (2 movies), 600 minutes of gaming activities, etc.
- (C)** Each activity is assigned to exactly one program.



- (A)** So parents can register on Wednesday and pay on Friday.
- (B)** Parents with more than one child at HappyKids can pay for multiple registrations at the same time.
- (C)** We don't accept installments; all registrations need to be paid in full.
- (D)** We have other sources of income than payments of parents for registrations (e.g. donations) that we would like to record into our system.

