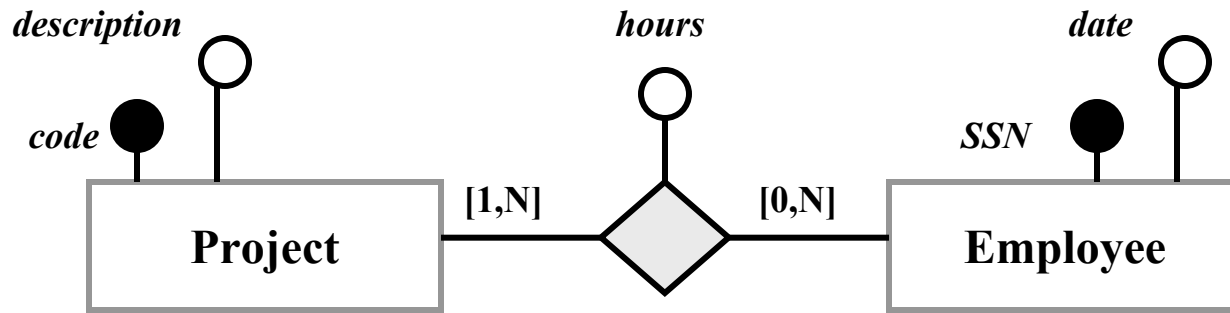


COOPERATIVE LEARNING II

Relational Database Design

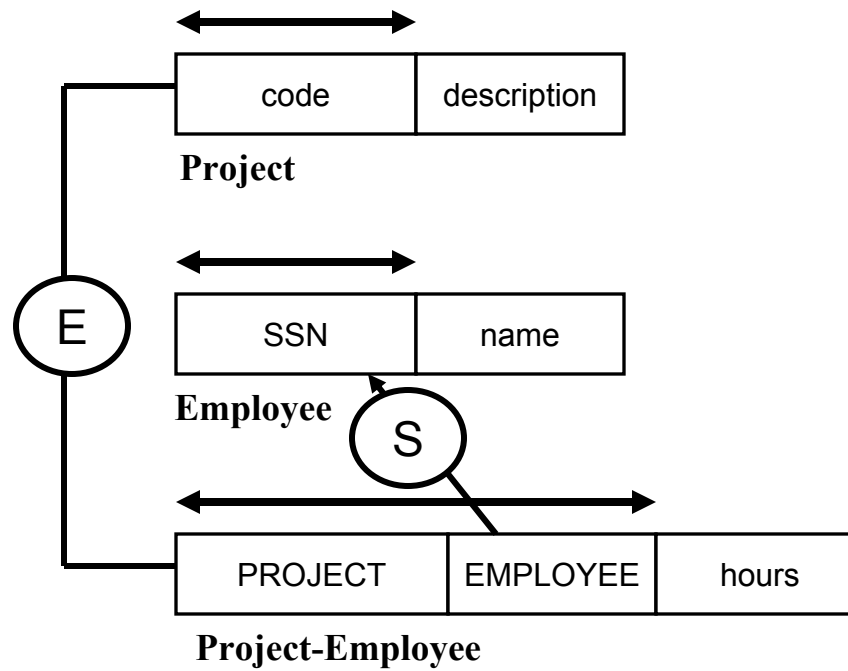
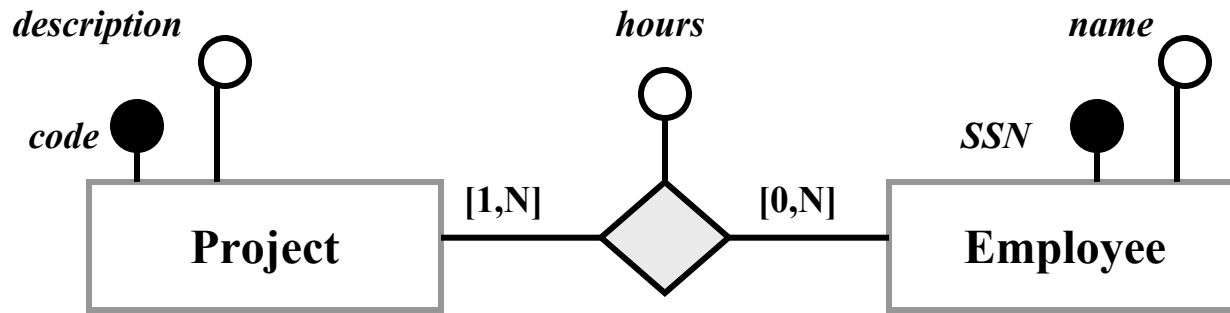




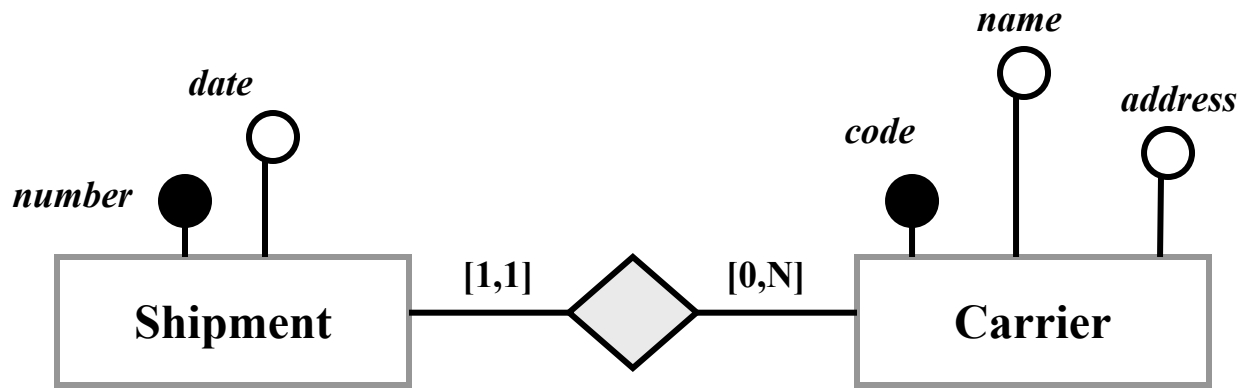
--	--	--	--	--

--	--	--	--	--

--	--	--	--	--



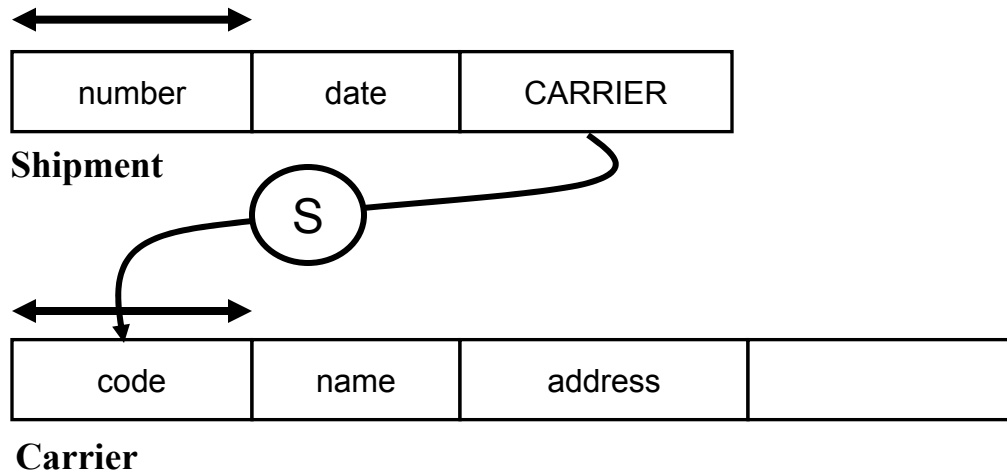
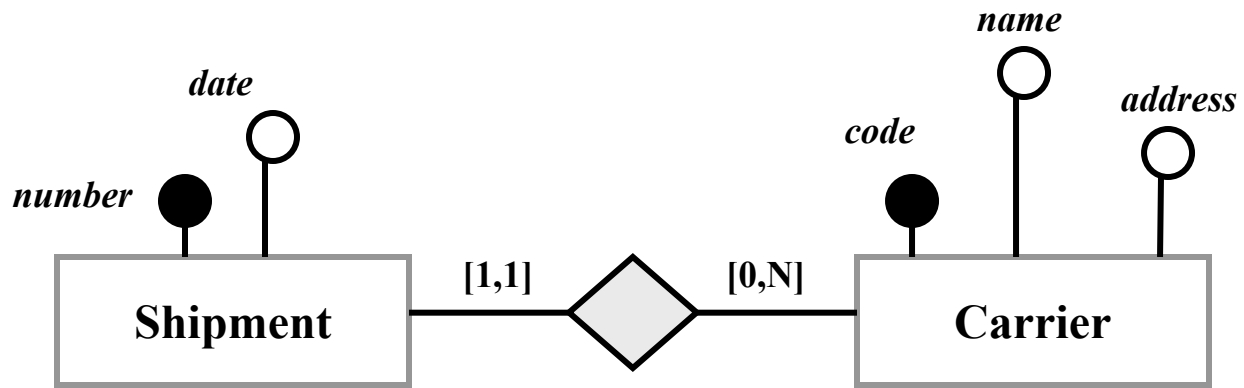
Problem #1 -- Solution

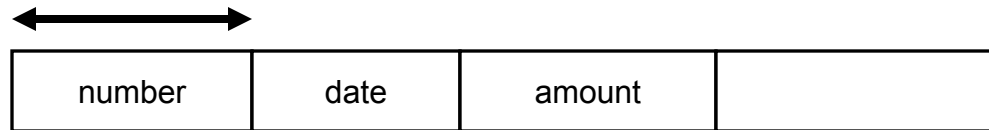
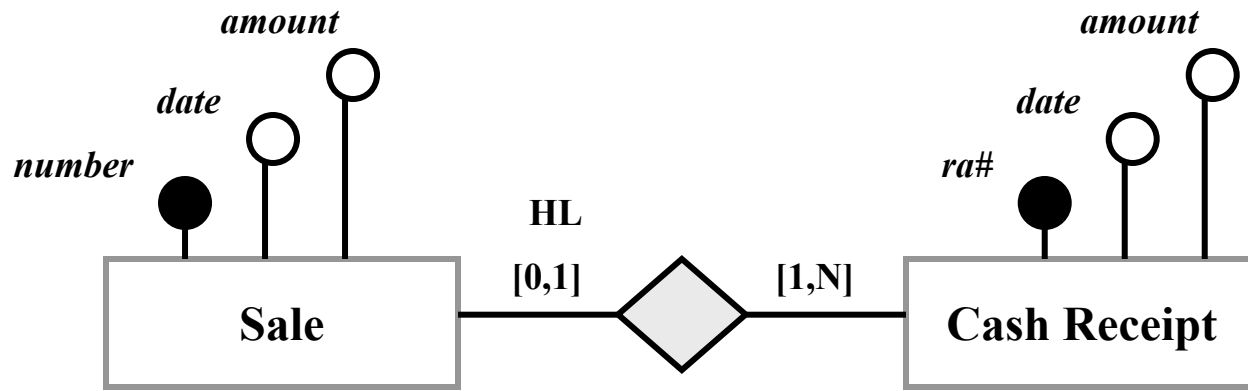


--	--	--	--	--

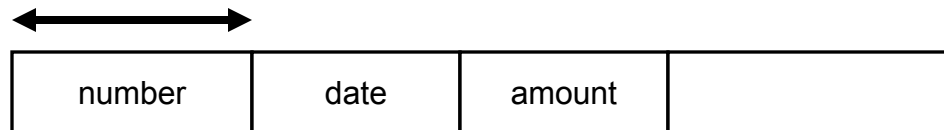
--	--	--	--	--

--	--	--	--	--

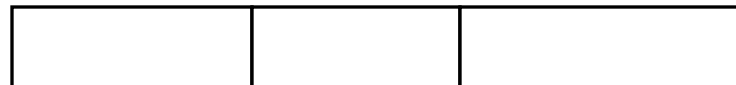


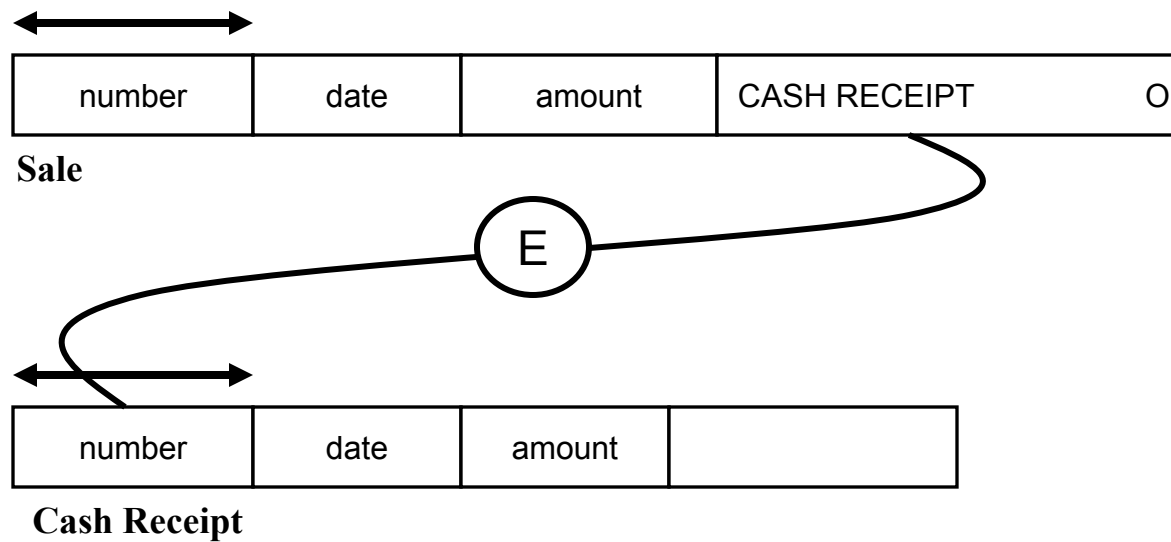
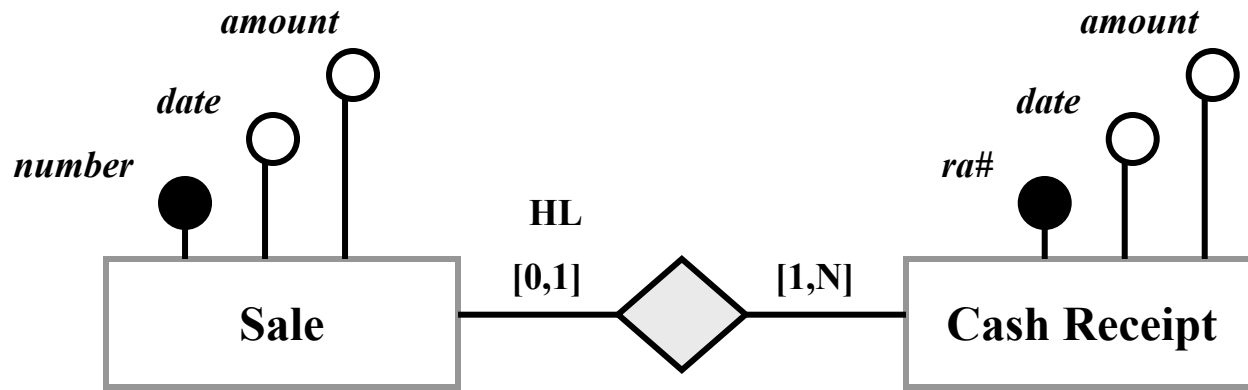


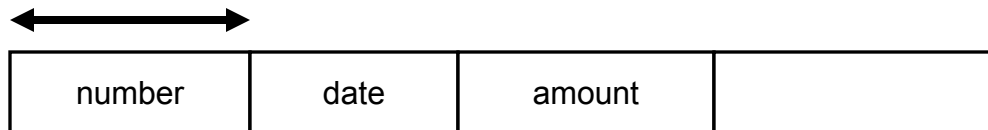
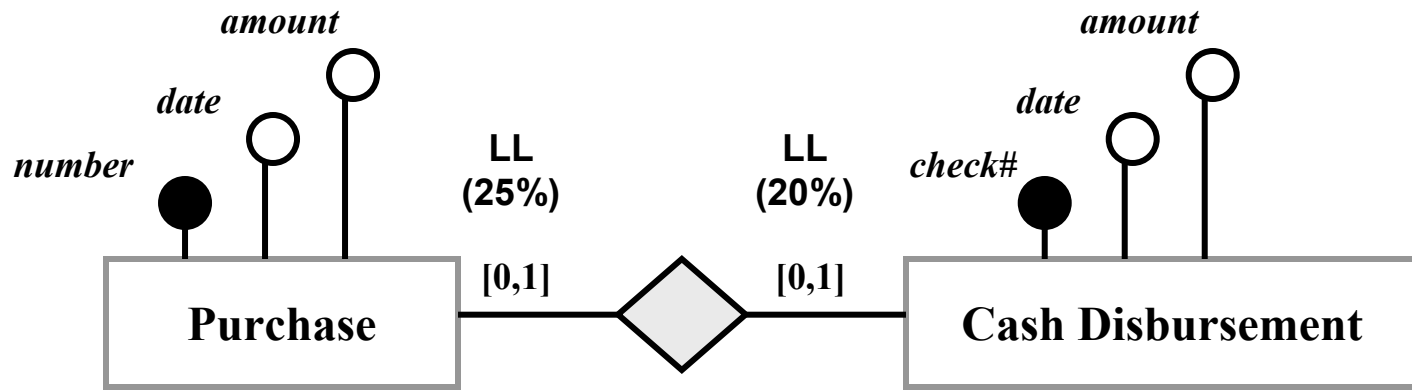
Sale



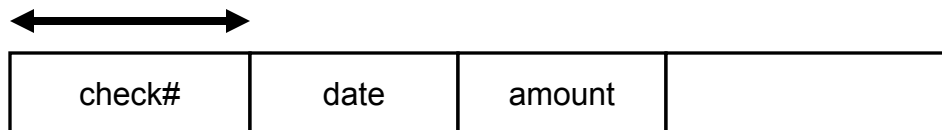
Cash Receipt



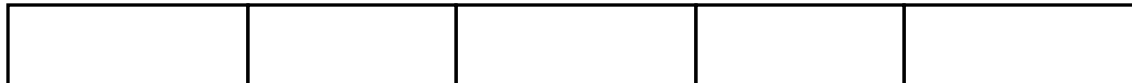


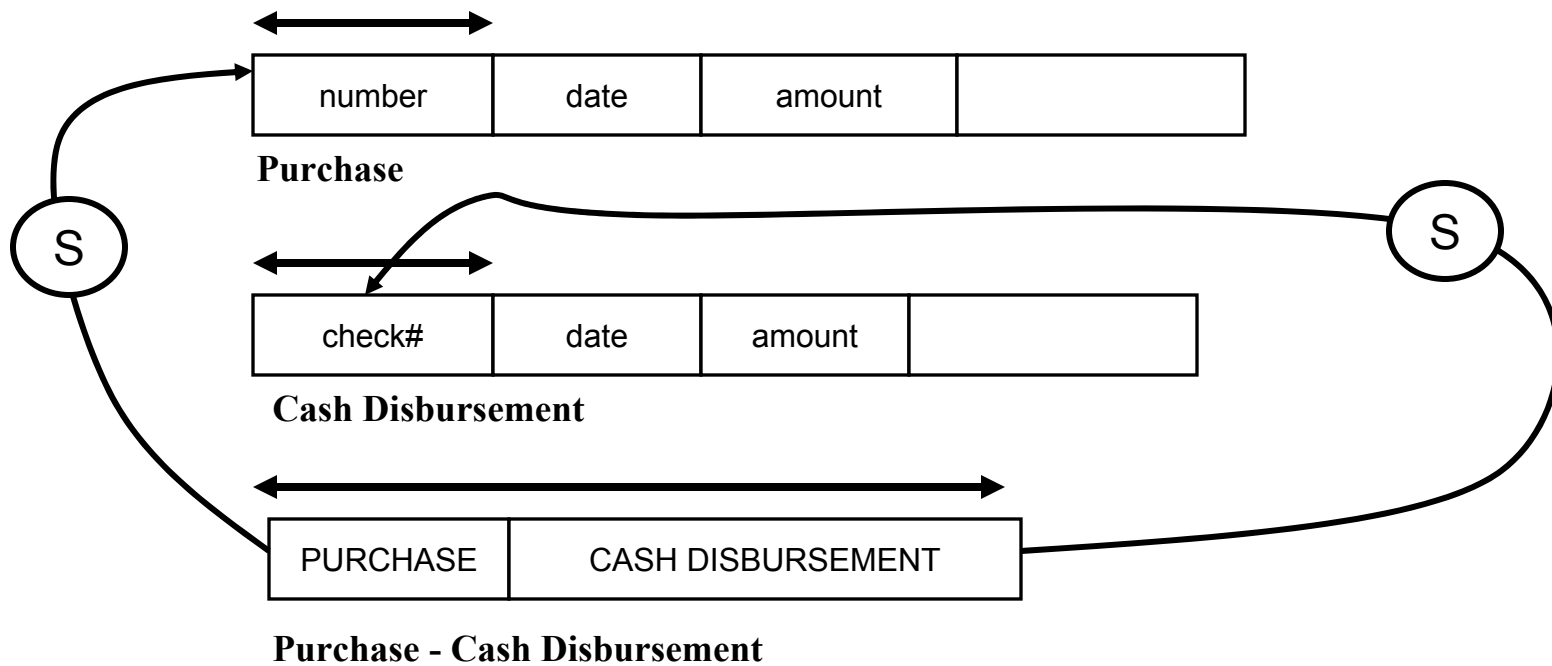
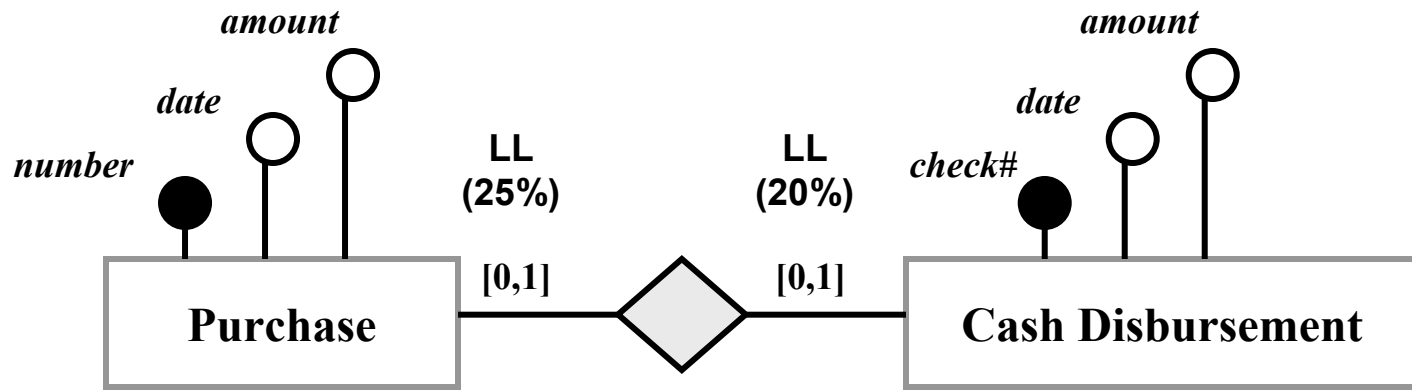


Purchase

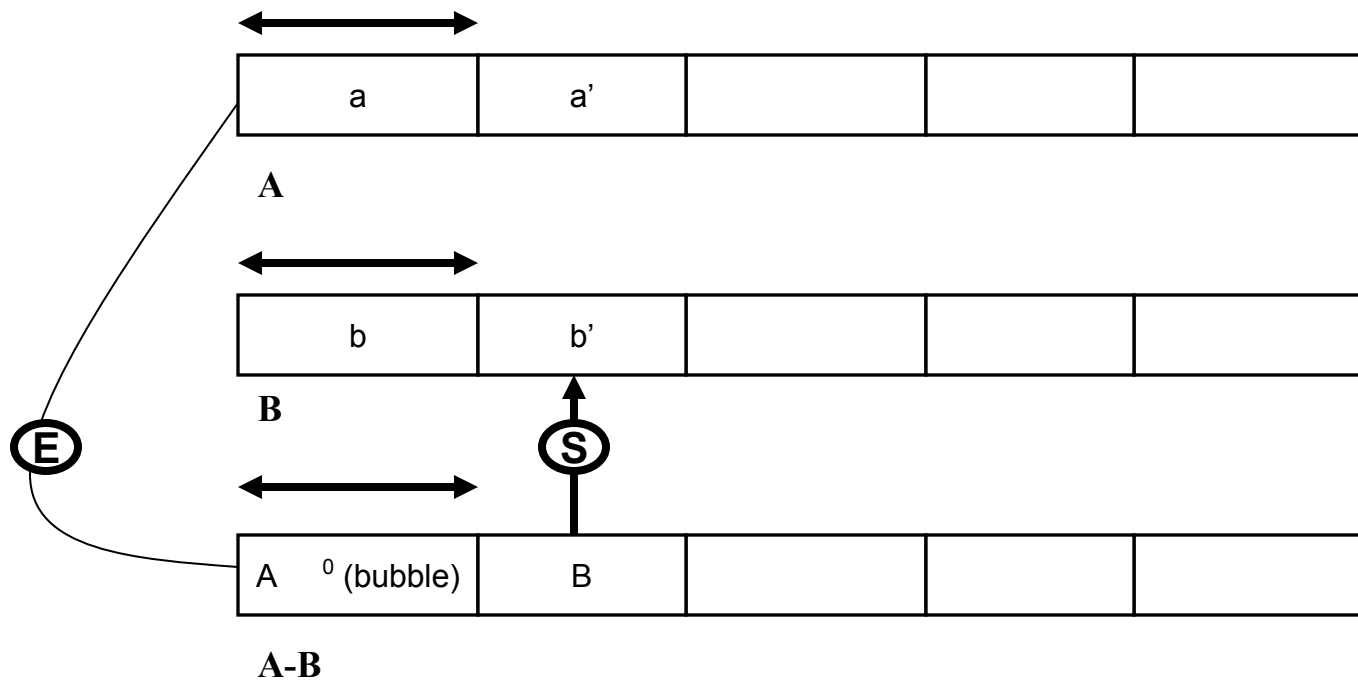
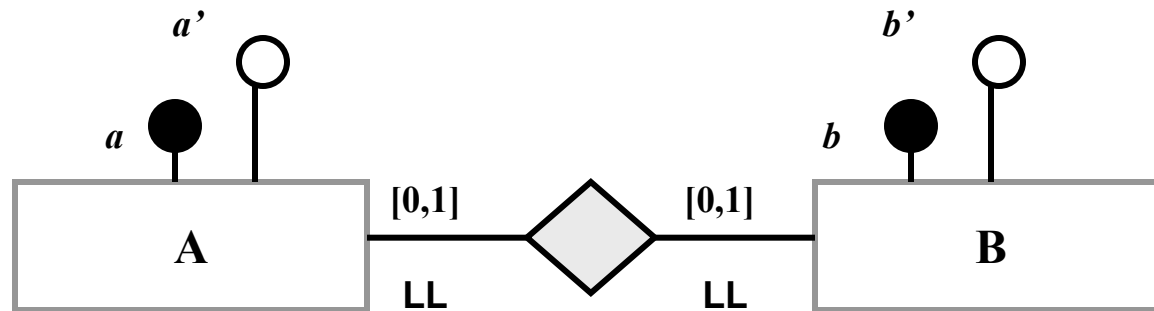


Cash Disbursement

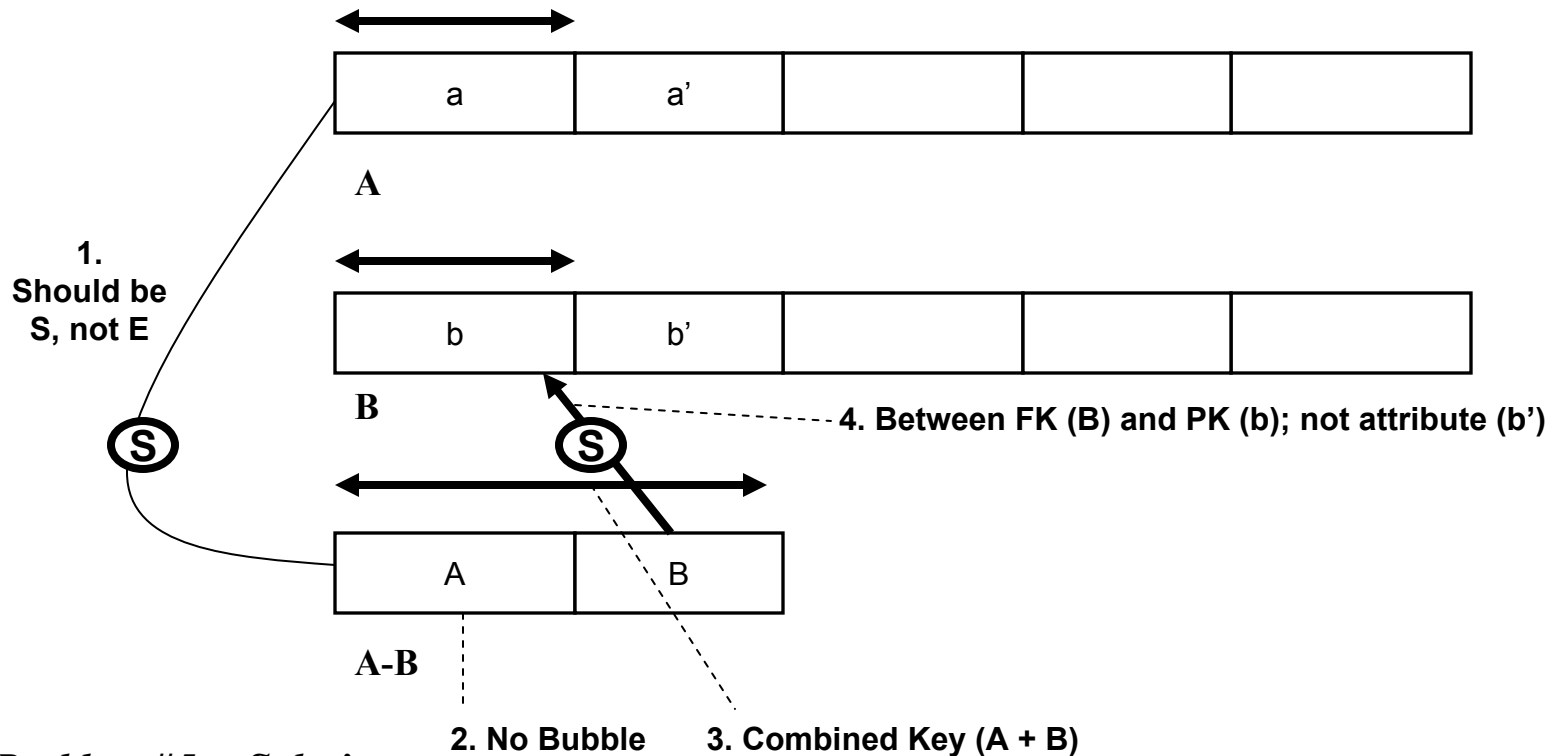
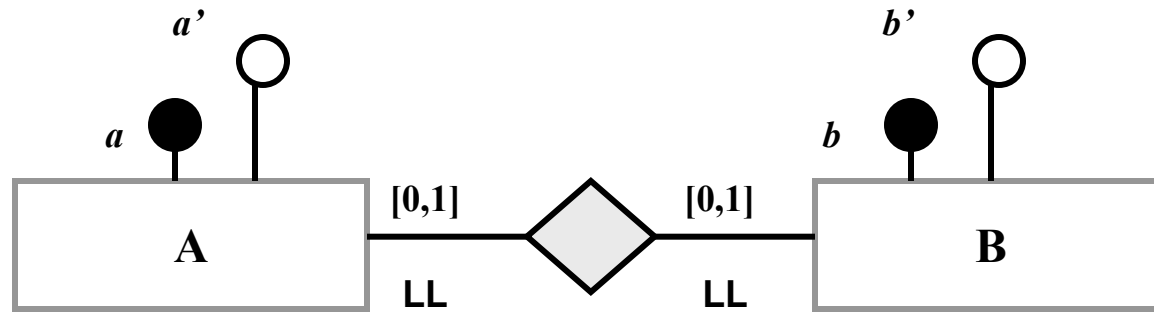


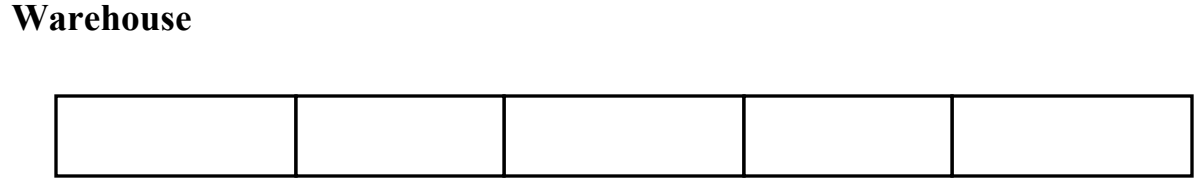
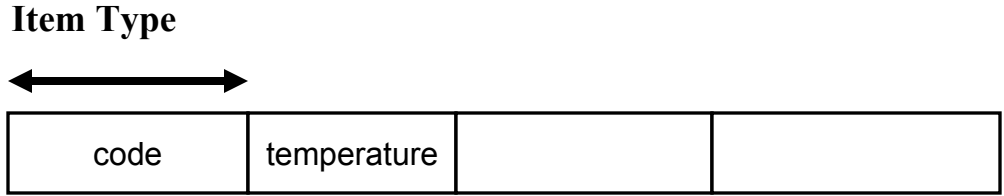
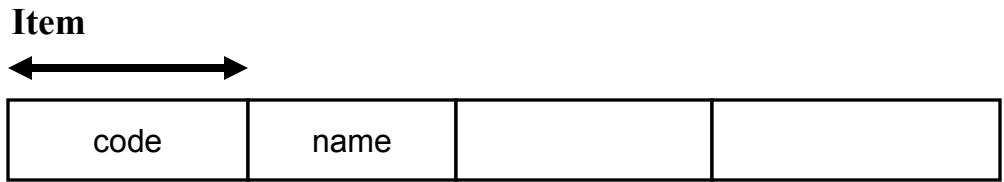
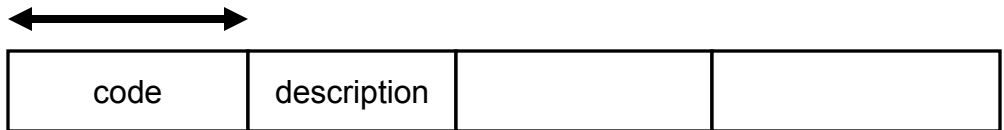
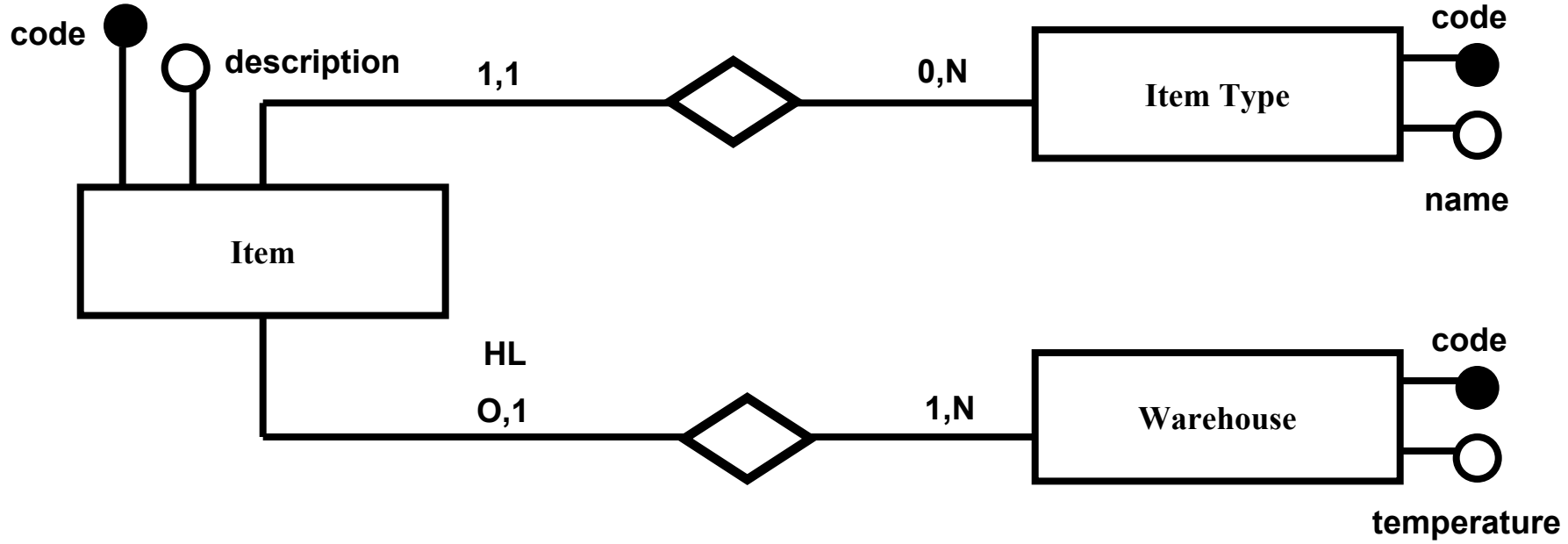


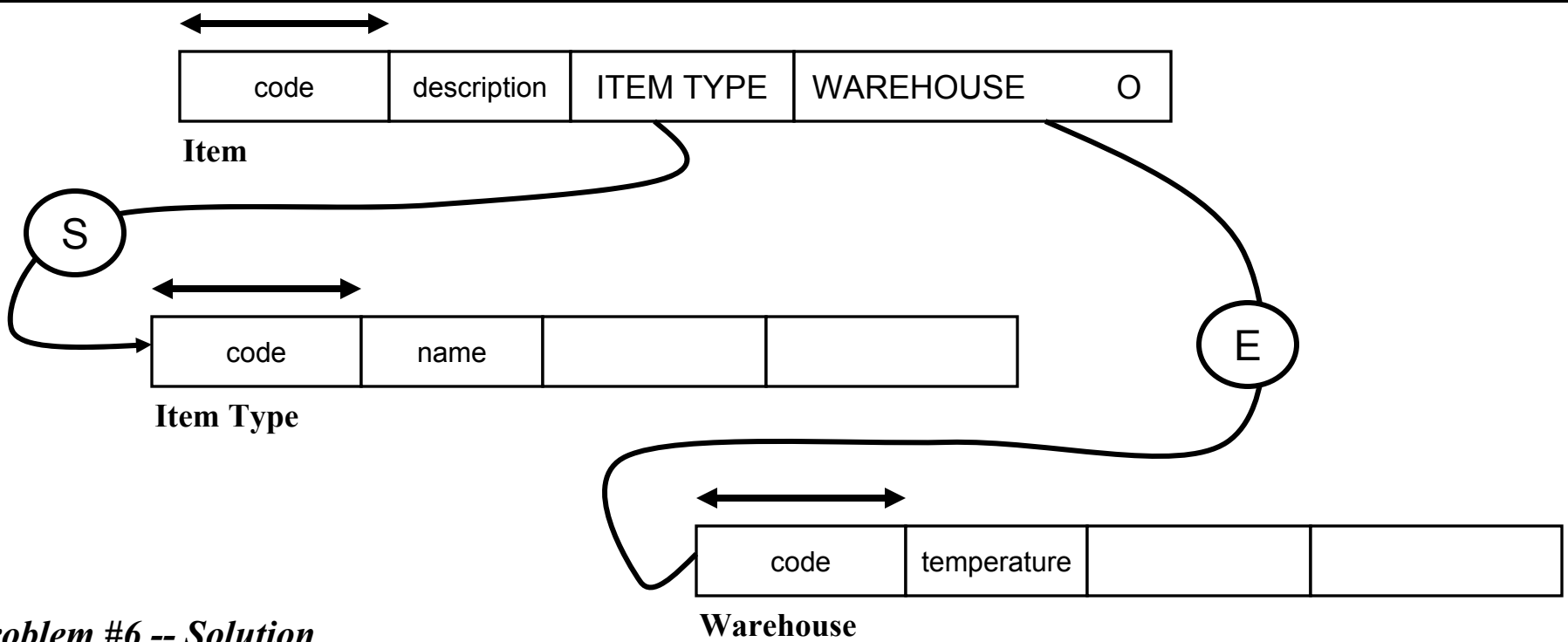
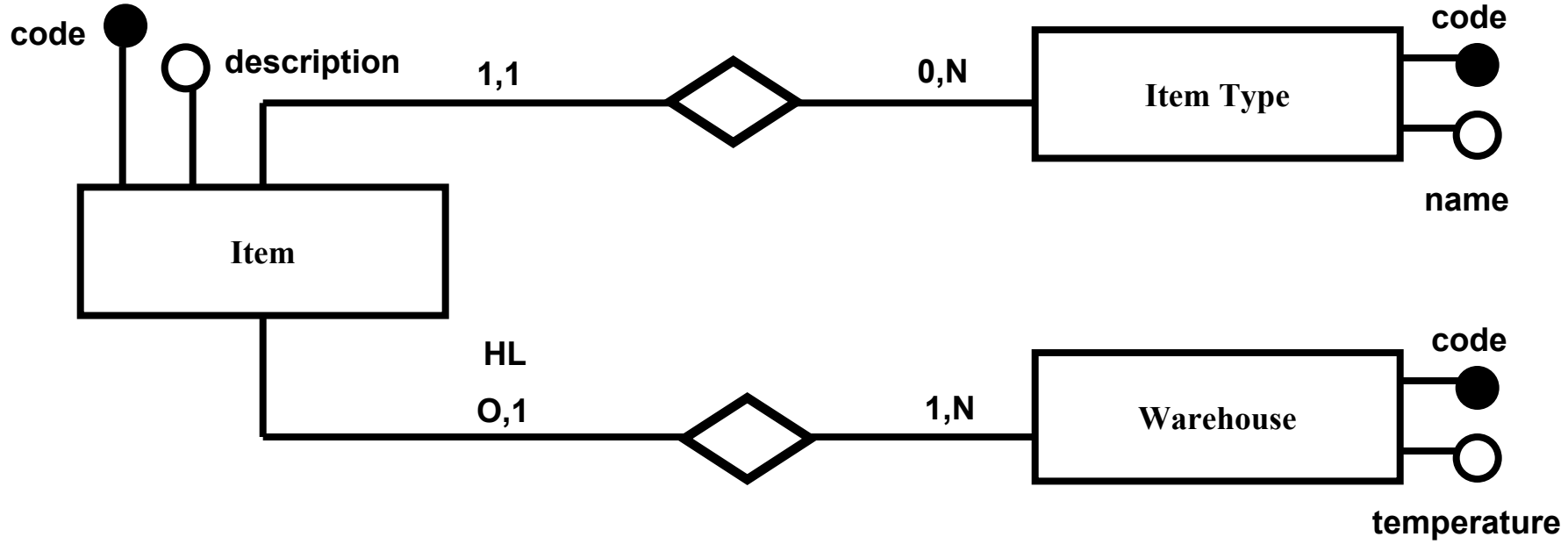
Correct Relational Database Structure (Do not change the cardinalities!)



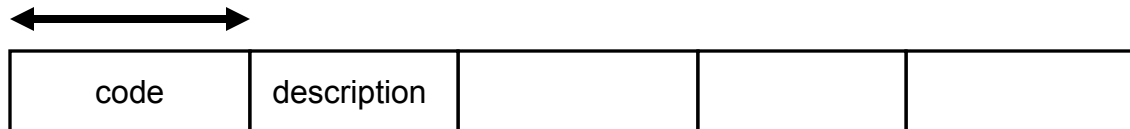
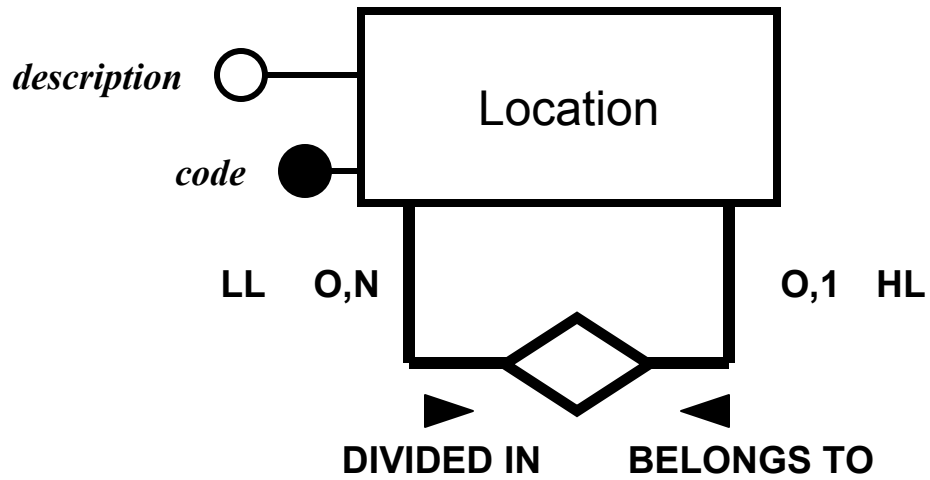
Correct Relational Database Structure (Do not change the cardinalities!)



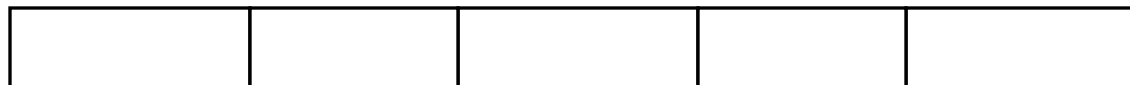


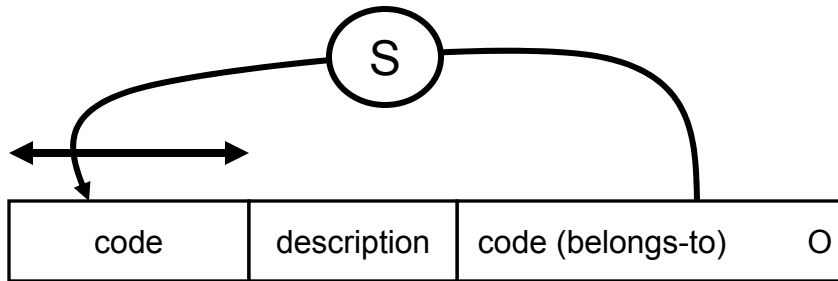
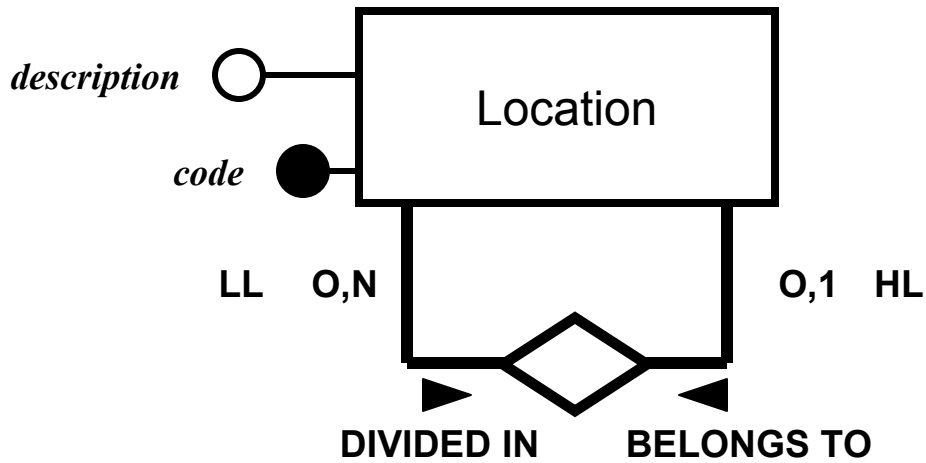


Problem #6 -- Solution



Location

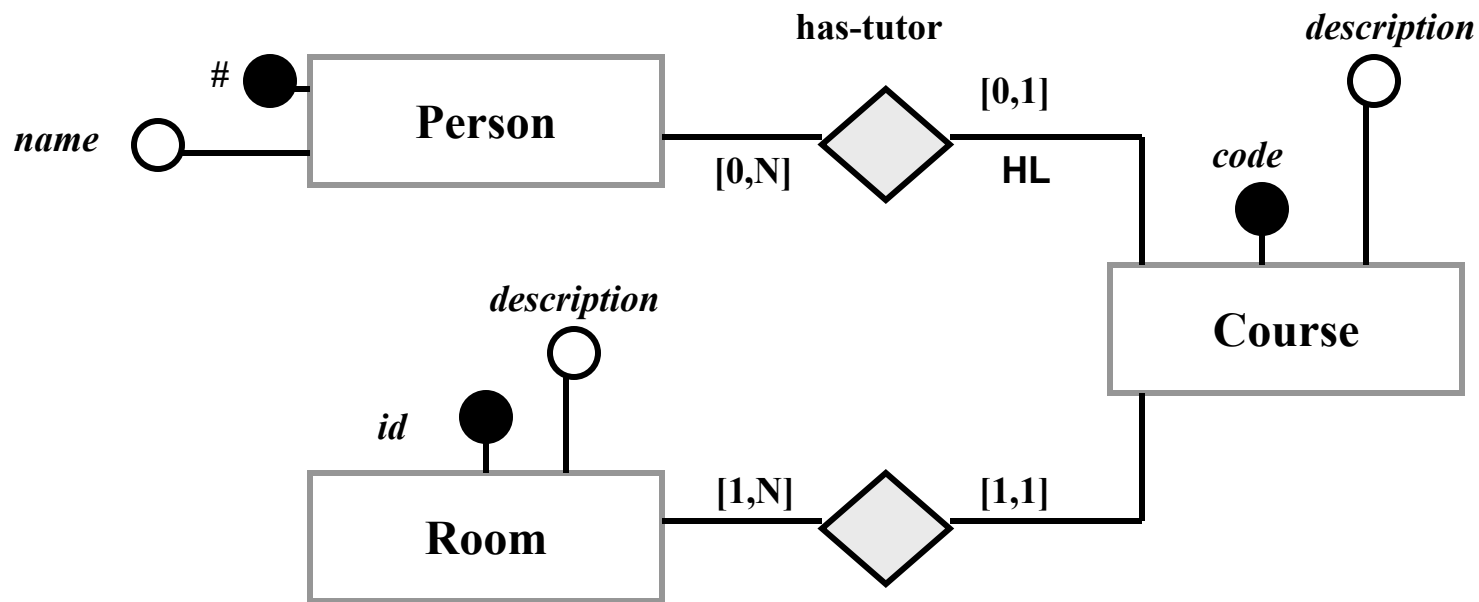




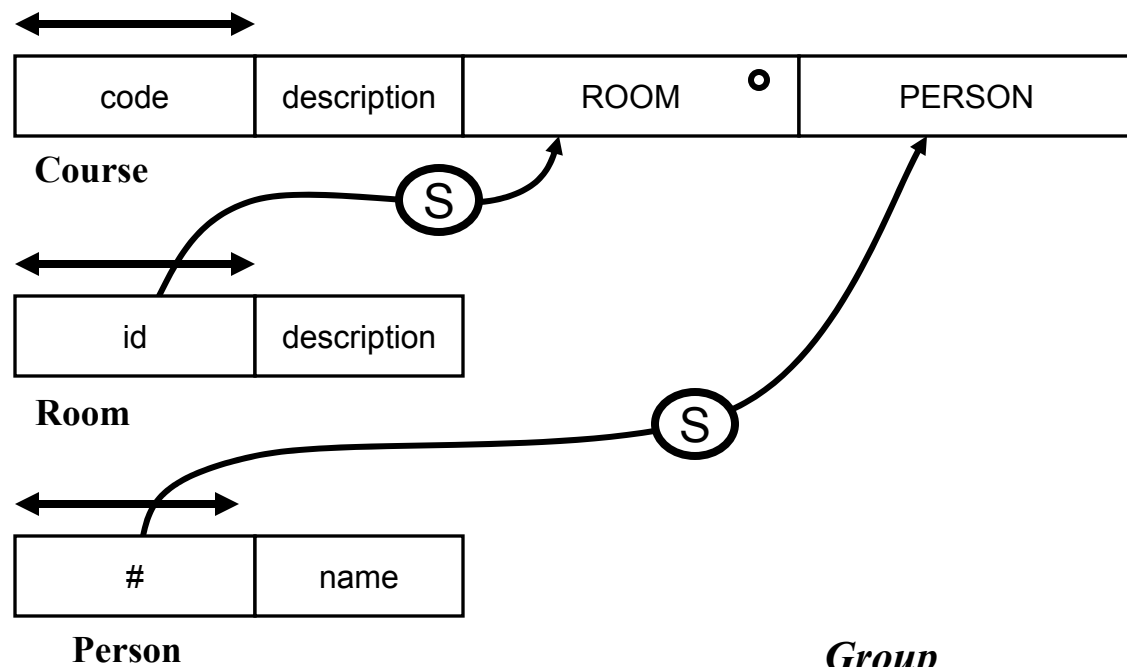
Location

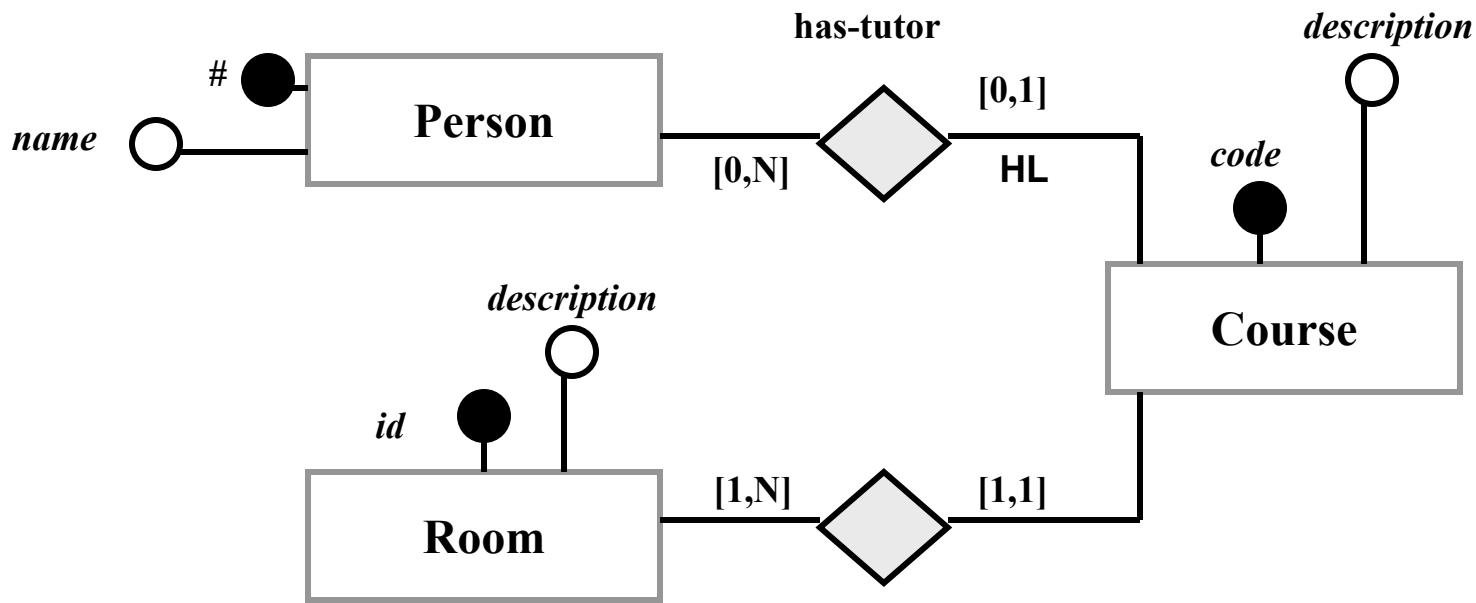


code	description	code (belongs-to)
W1	Warehouse-1	null
A1	Area-1A	W1
A2	Area-1B	W1
Bin1	Bin-1AA	A1
Bin2	Bin-1AB	A1
Bin3	Bin-1AC	A2
Bin4	Bin-1BA	A2
Bin5	Bin-1BB	A2



Correct Relational Database Structure (Do not change the cardinalities!)





Correct Relational Database Structure (Do not change the cardinalities!)

